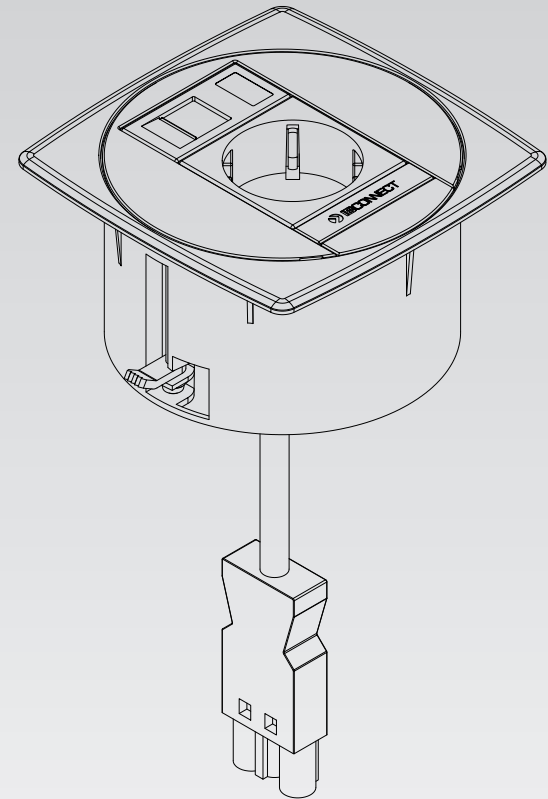


installation guide
user manual



P El Escopar 5 31350 Peralta Navarra Spain T+34 948 753 282 F+34 948 751 462 comercial@ib-connect.com

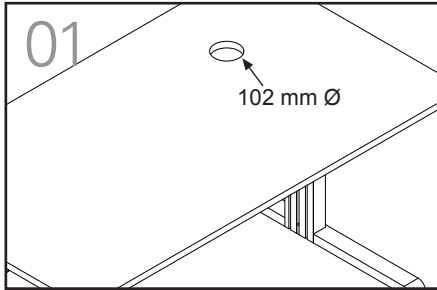


UNIT

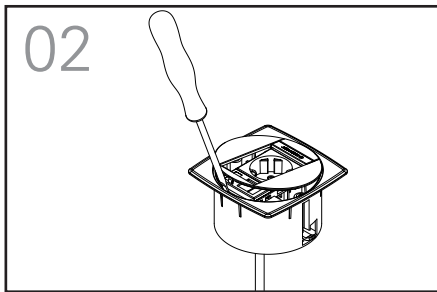
punto de conexión multifunción
multifunction connection dock

www.ib-connect.com

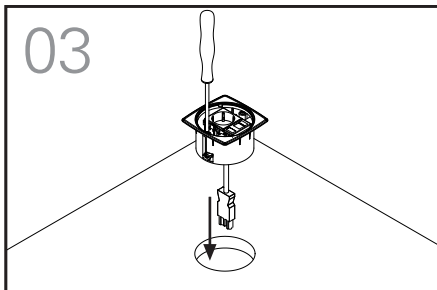




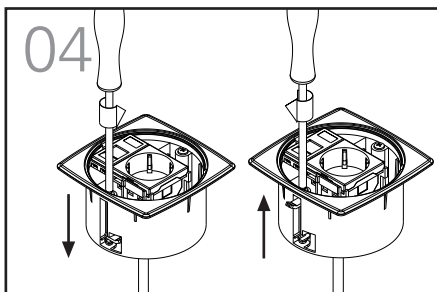
01 Table mount
Drill a hole with an annulus Ø of 102mm to insert the unit.



02 Remove the cover
Use a fine head screwdriver to remove the cover of the anchor mechanism, as shown in diagram 2.

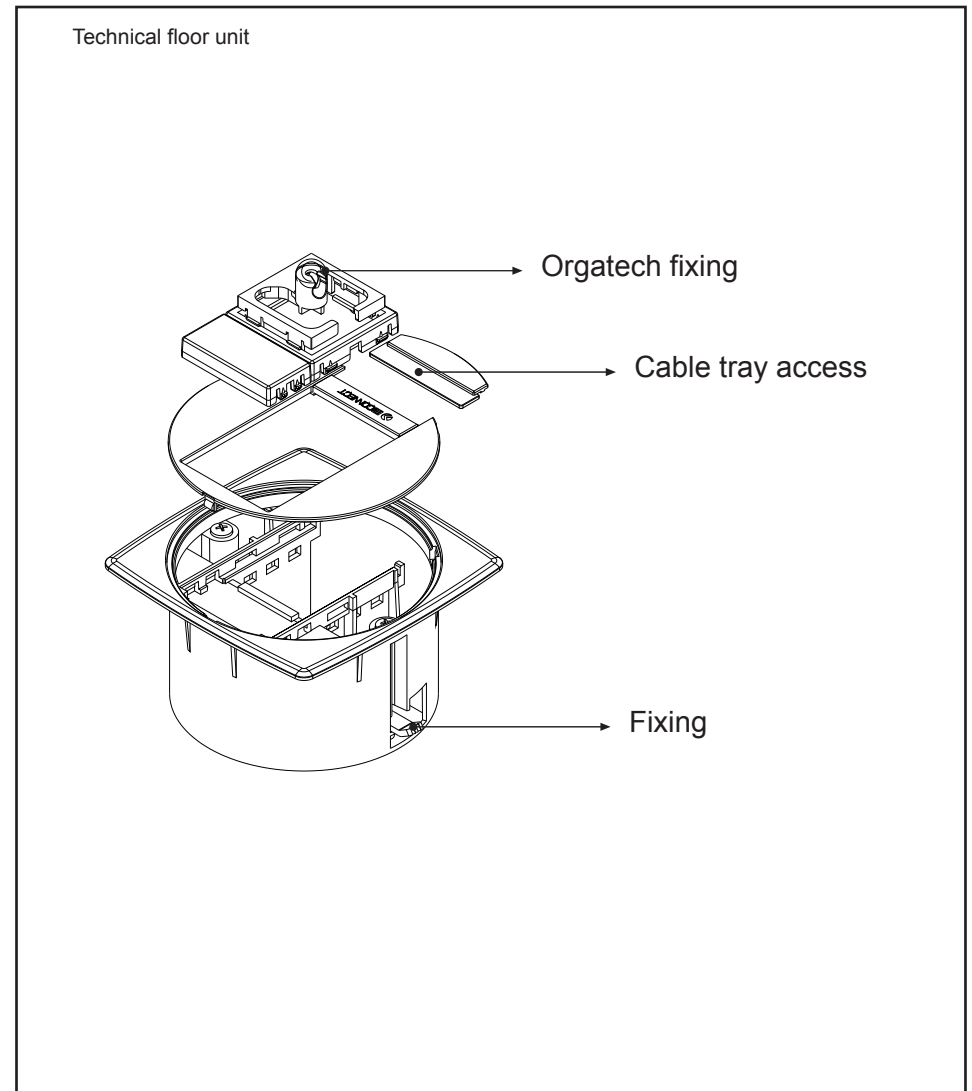


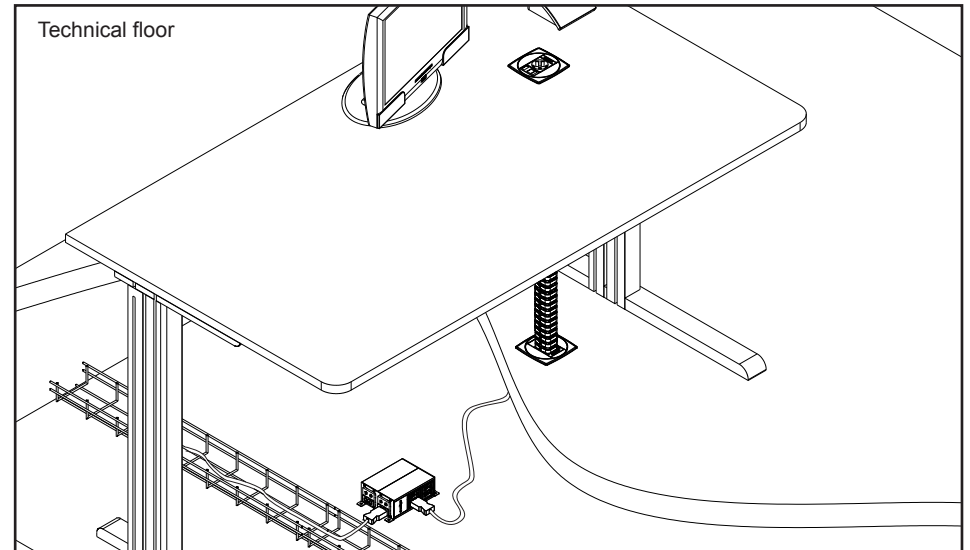
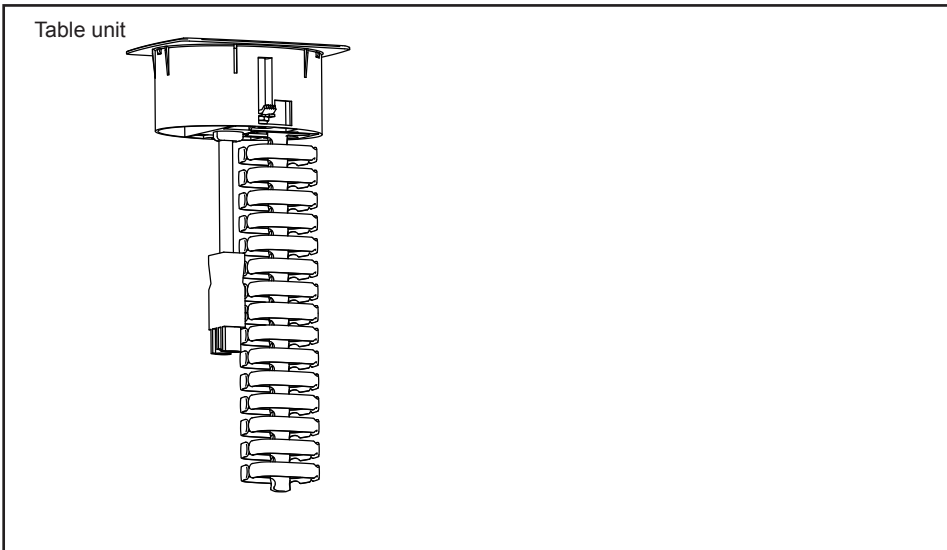
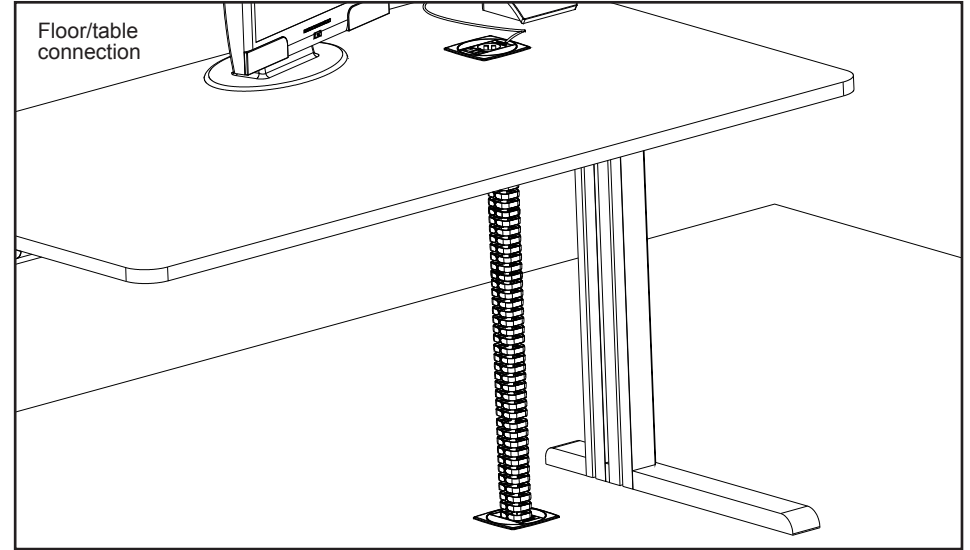
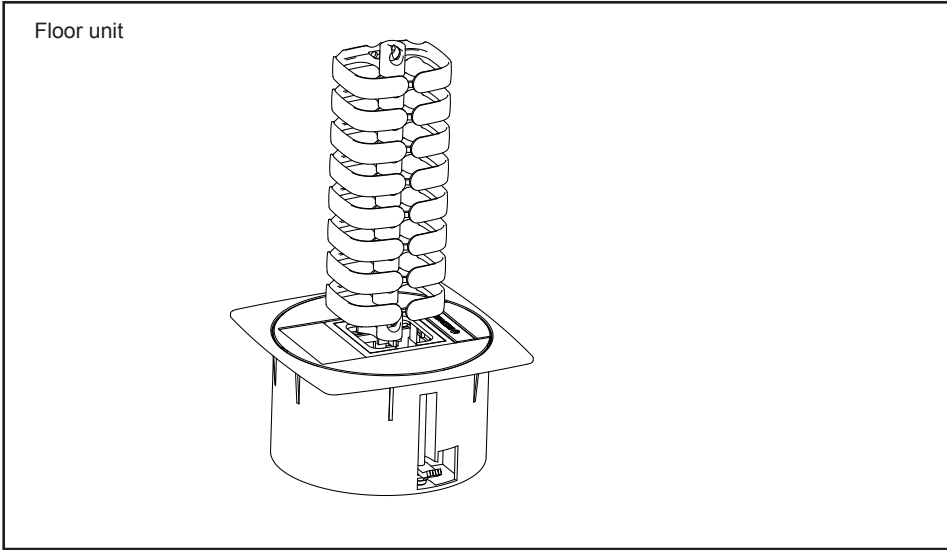
03 Fixing the unit system
Before inserting the unit system, check that the anchor flaps are closed, if not, close them by turning it with the screwdriver. Once you have completed this operation, insert the unit system in the hole you have drilled. Diagram 3.

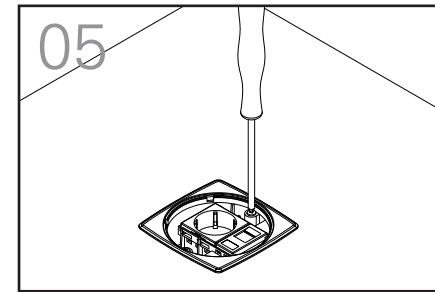
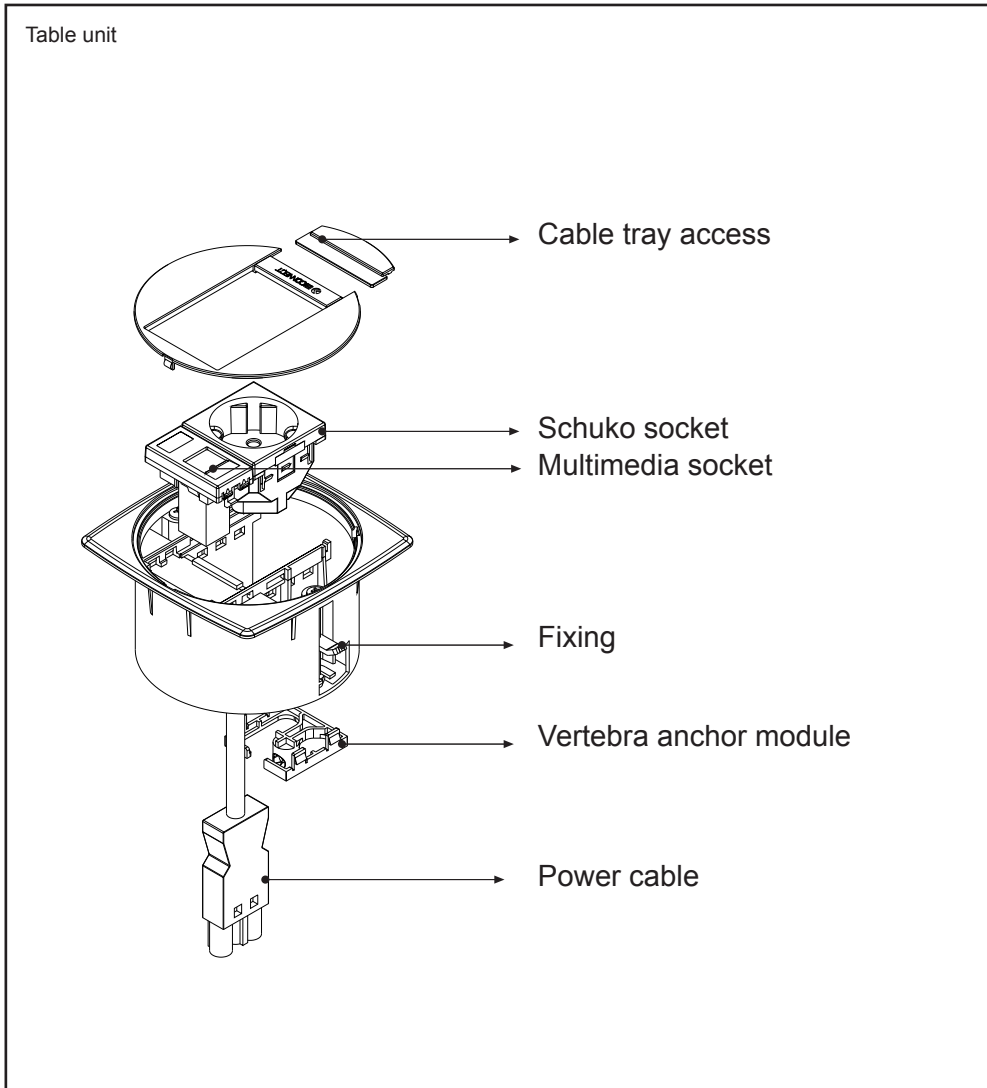


Example of how the anchor system works.

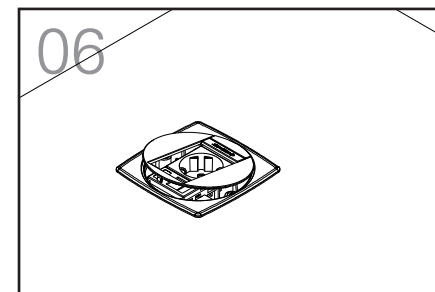
IMPORTANT: If the operation is performed using an electric screwdriver, adjust the power so that it does not damage the anchor system.



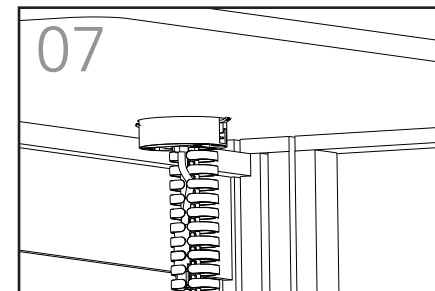




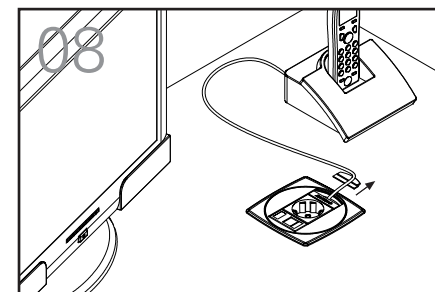
Fixing the rings
Use a crosshead screwdriver to tighten the two anchor system screws until they are tight enough to prevent any movement.



When the unit is fixed, put the cover back on, as shown in diagram 6.



Concealing the cables
Fitting the Orgatech system.
In order to conceal the unit system power cables, you can attach the Orgatech system, which allows any power supply to be reached, concealing the cables and connectors.



Cable tray
The unit system can be used to access a cable tray by simply removing a tab, diagram 8.

For any queries related to the product, contact:

oficinatecnica@ib-connect.com