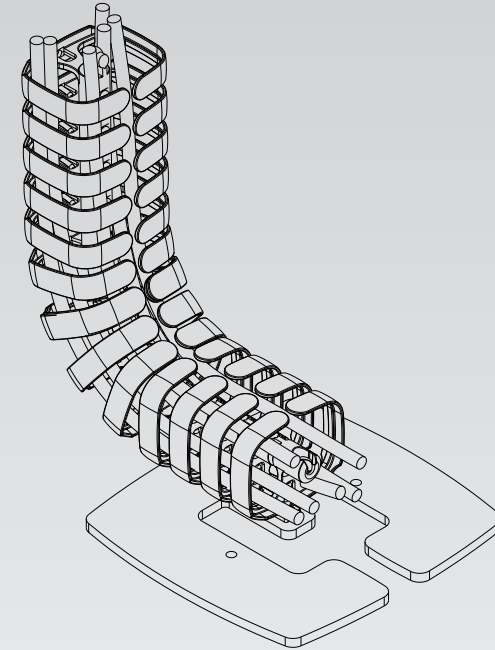


installation guide
User manual



 **IBCONNECT**

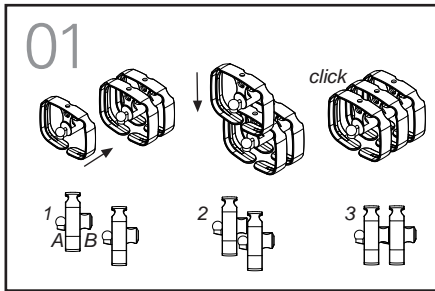
P El Escopar 5 31350 Peralta Navarra Spain T+34 948 753 282 F+34 948 751 462 comercial@ib-connect.com

VERTEBRA

organizador técnico de cables
technical organizer cable

www.ib-connect.com

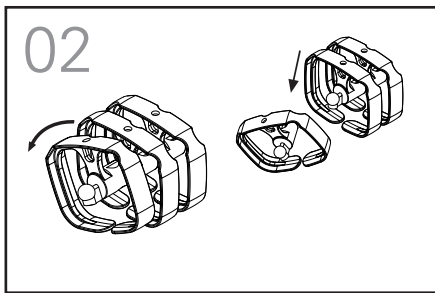
 **IBCONNECT**



Connecting rings

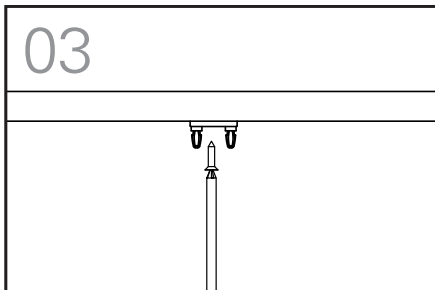
To achieve the desired length of installation, you can connect several Orgatech strips until you reach the desired length.

To connect the rings, place the male and female pivot bolts so that they are facing each other and slide vertically, as shown in diagram 1, until you hear the click of the clip, which indicates that they have been correctly connected.



Releasing rings

If you need to release a ring, simply turn it slightly while pushing it down, as shown in diagram 2.



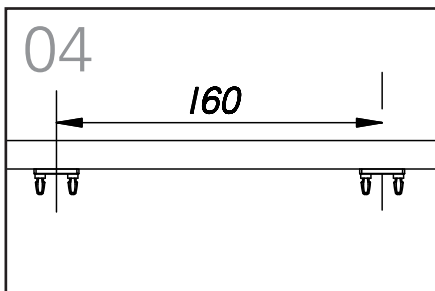
Fixing Orgatech

To fix Orgatech to a flat surface, use the clips supplied along with the screws, diagram 3.

Step 1. Screw the clip to the surface using a crosshead screwdriver.

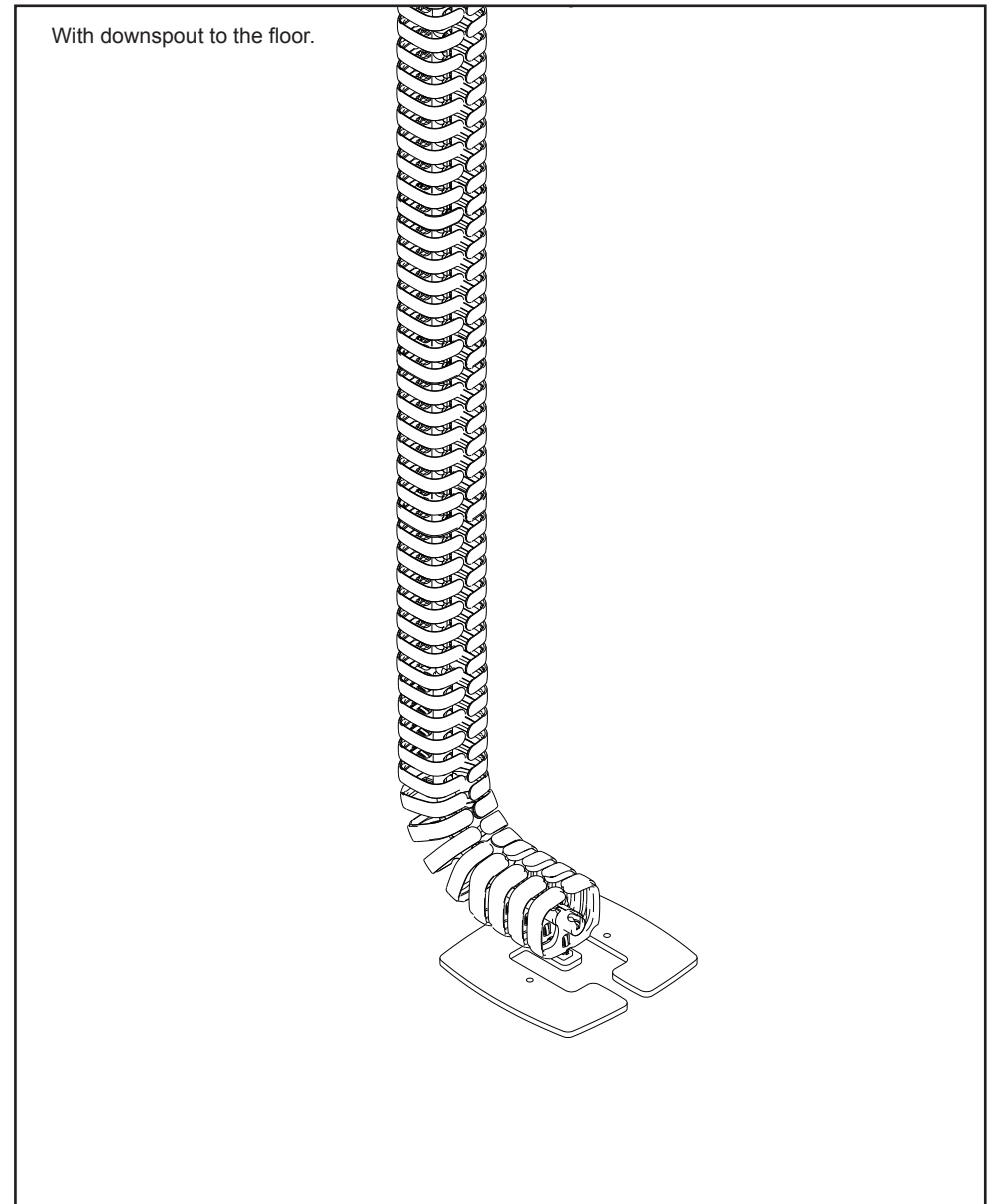
Step 2. Attach the rest of the clips, at a distance of 160 mm between the centres of the clips. It is advisable to place 7 clips per meter of Orgatech, at 1 clip per 8 rings.

Step 3. Line up the holes in the rings with the pivot bolts of the clips and press until you hear the click.



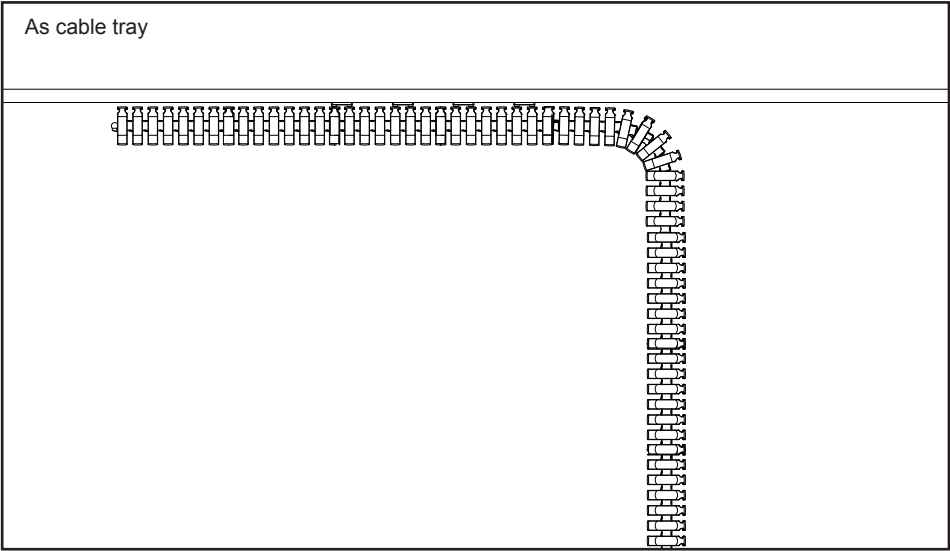
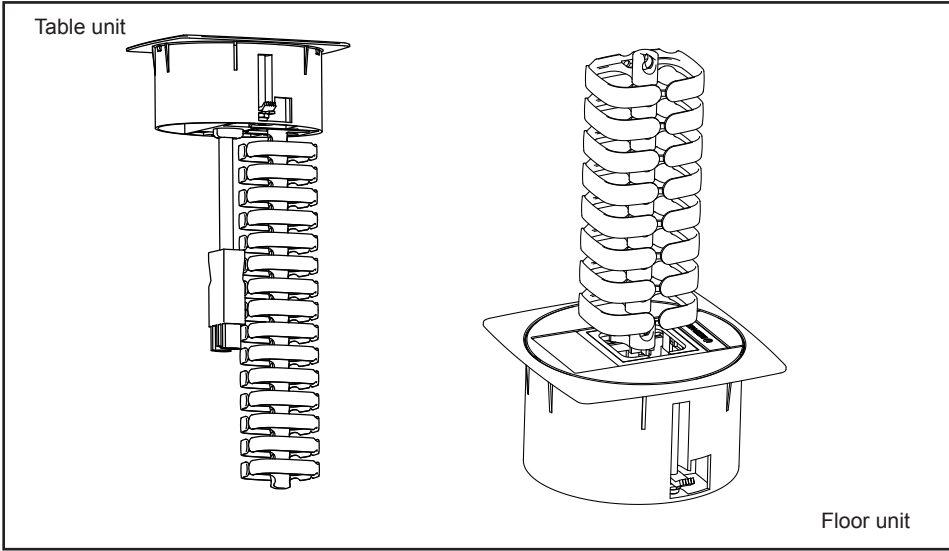
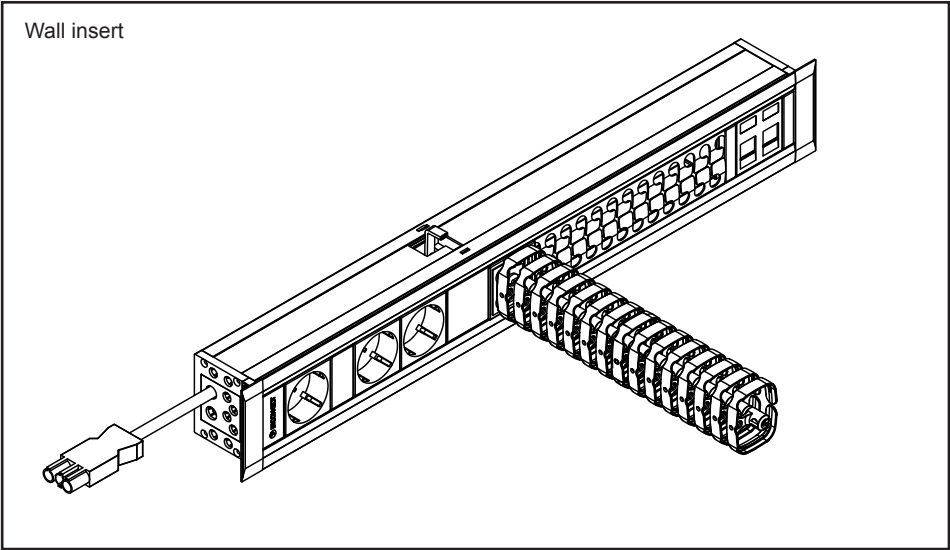
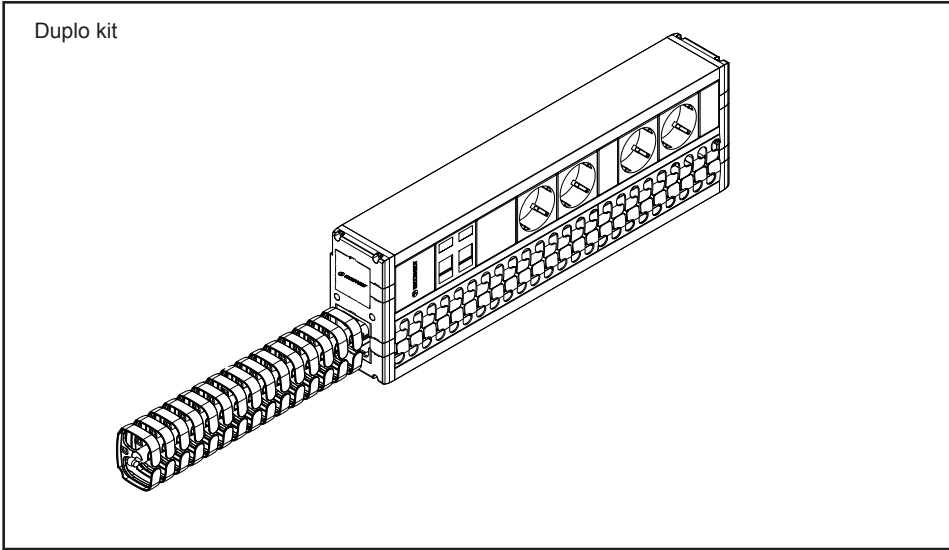
Important: the two pivot bolts must be inserted in the rings at the same time.

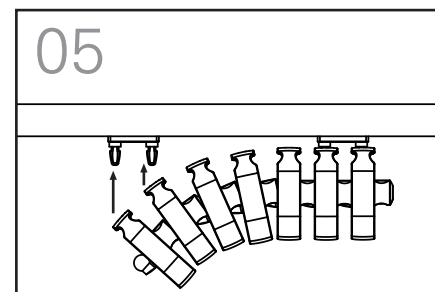
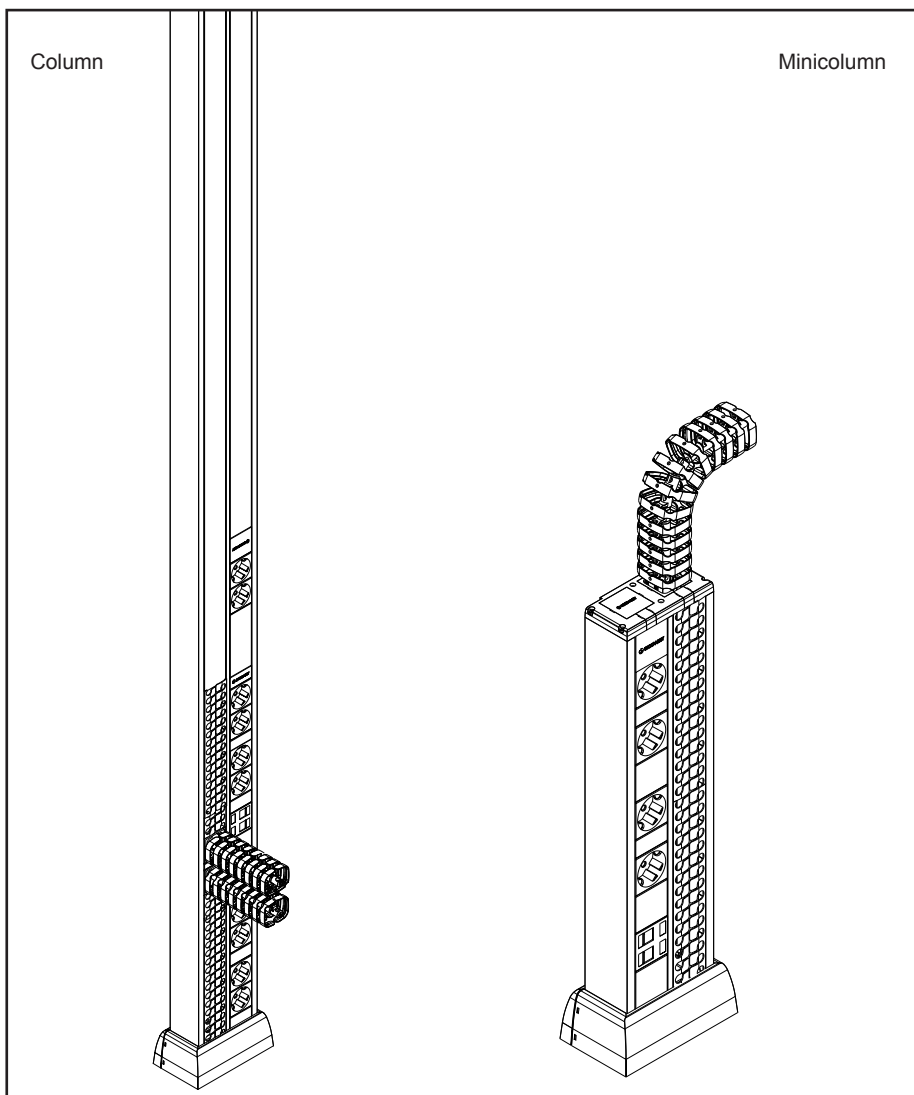
Repeat the operation until Orgatech is fully fixed.



Applications of ibconnect products

Applications of ibconnect products

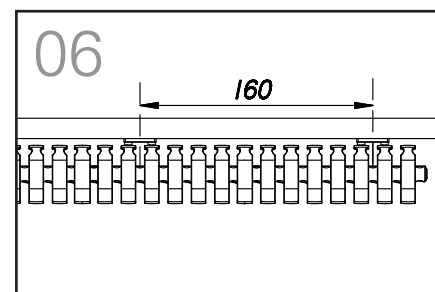




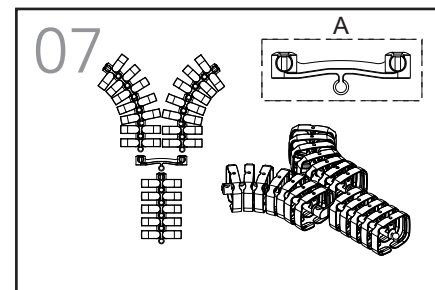
Fixing the rings

Once the clips have been fixed to the surface, line up the holes of the rings with the pivot bolts of the clip. Once you have done this, press the rings until the pivot bolts are inserted inside the holes of the rings; you will hear a click.

Important: the two pivot bolts must be inserted into the rings at the same time.

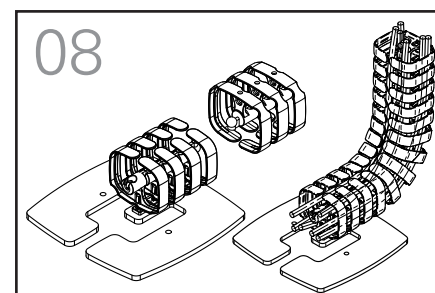


Once you have inserted all of the rings in the respective pivot bolts of the clips, the system is fully installed.



Creating diversions

Orgatech lets you create diversions in order to better distribute the cable and avoid downspouts. To do this, use the T-shaped diversion piece, as shown in diagram 7. To attach it, follow the steps described for joining rings.



Floor support.

When Orgatech is used as a cable downspout, a metal base is used for stability or to attach it to the floor. The base is supplied assembled with a set of 4 rings, which are attached to the ring with the Orgatech male pivot bolt.

For any queries related to the product, contact:

oficinategnica@ib-connect.com